



## Illustrated Parts Breakdown

**Models: PV8AC-D300**

**No Picture Available**

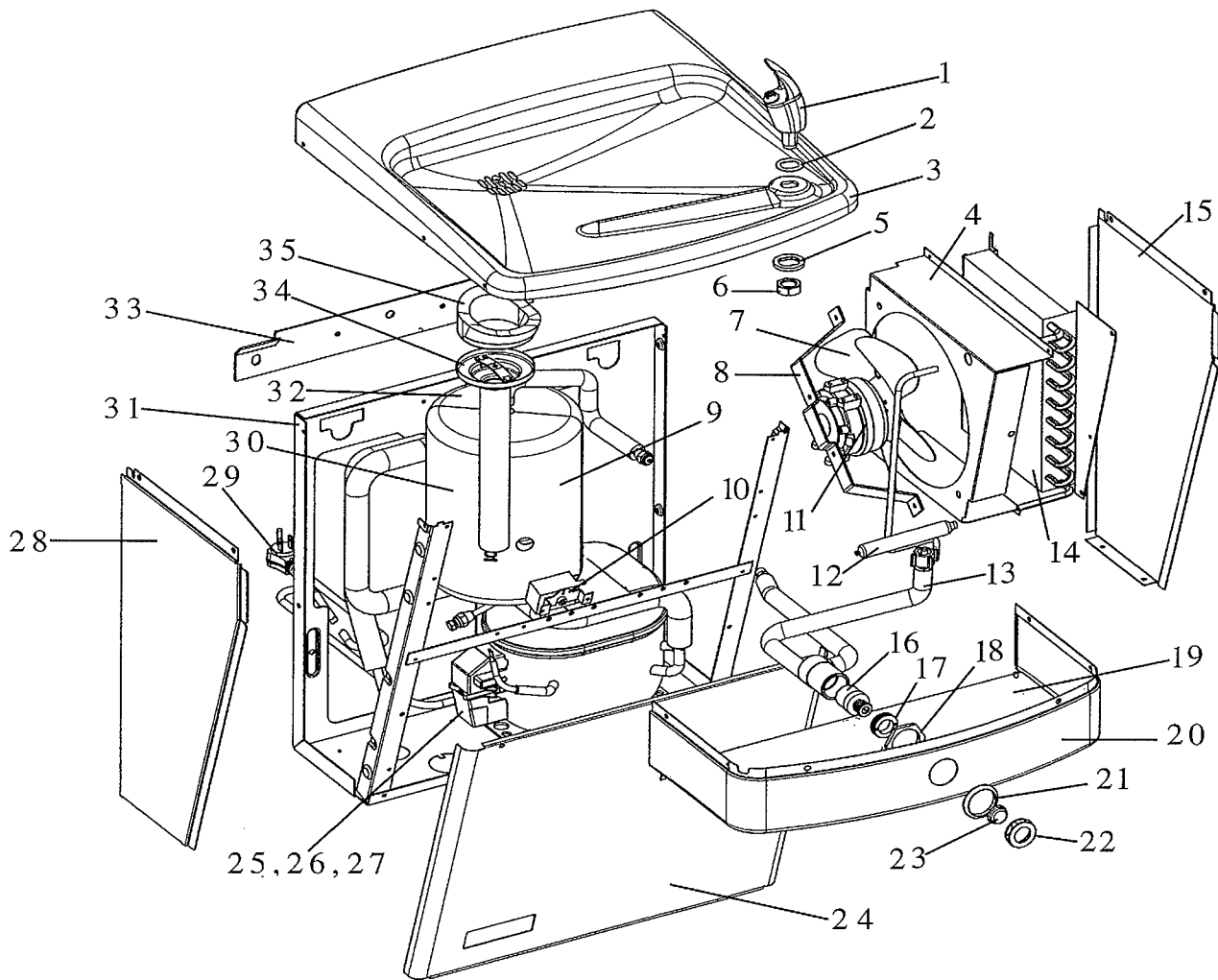
### **SPECIFICATIONS:**

**Models: PV8AC-D300**

|                          |                                   |
|--------------------------|-----------------------------------|
| Voltage                  | 115VAC±10%/1 PH/60 Hertz          |
| Size                     | 17 5/8" W, 18 5/8" D, 18 29/32" H |
| Shipping Weight (Approx) | 56 lbs.                           |
| Cold Water Capacity*     | 8 GPH                             |
| Compressor               | 1/4 hp                            |
| Compressor (Full Load)   | 4.8 amps                          |
| Refrigerant              | 134a                              |
| Refrigerant Charge       | 4.75 OZ                           |

\*Ratings: Room Temperature 90°F; Supply Water Temperature 80°F; Drinking Water Temperature 50°F.

Specifications subject to change without notice.



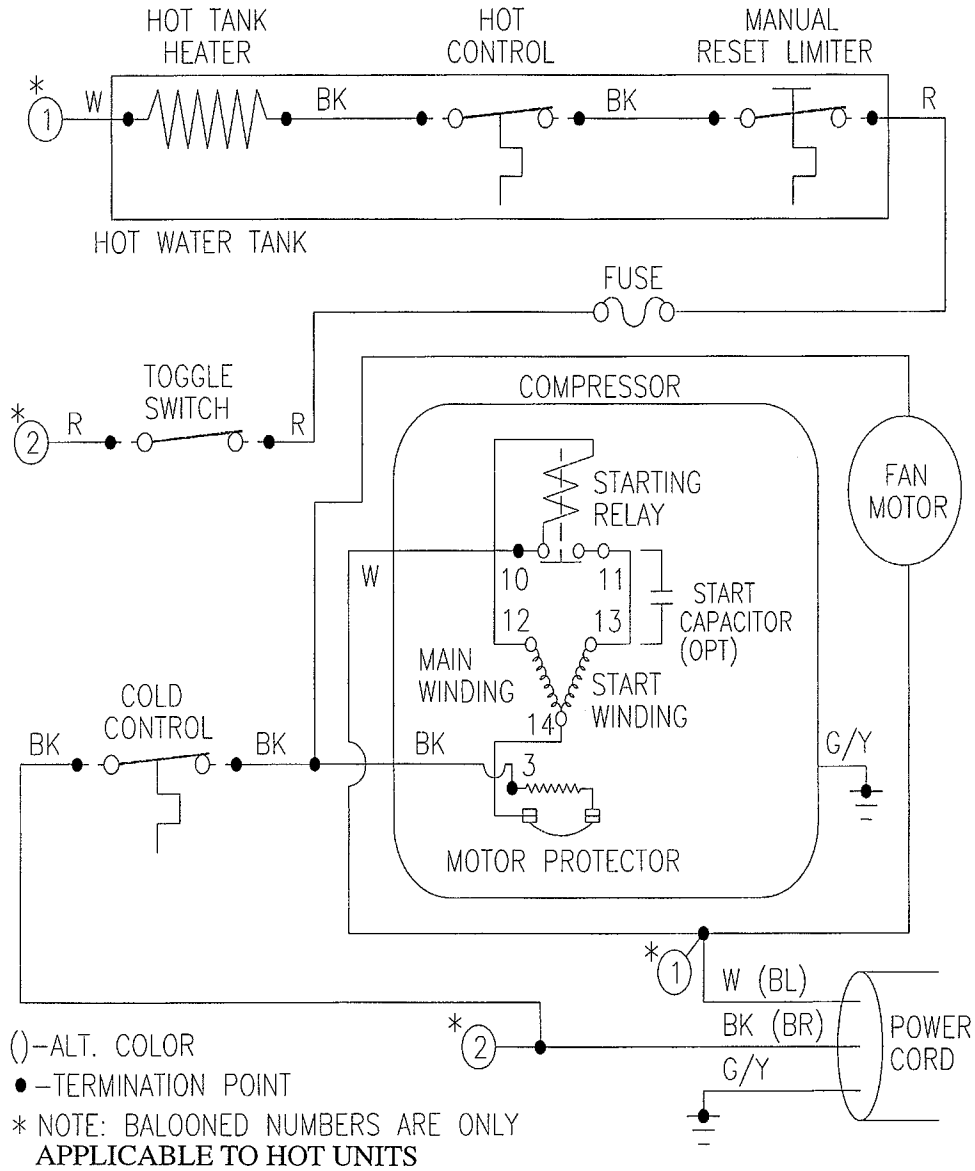
**Item# Description****PV8AC-D300**

|    |  |            |
|----|--|------------|
| 1  | Bubbler.....                           | 032799-008 |
|    | Nozzle.....                            | 030029-007 |
| 2  | Gasket.....                            | 028706-031 |
| 3  | Top.....                               | 031714-001 |
| 4  | Fan Shroud.....                        | 031767-001 |
| 5  | Washer, Undertop.....                  | 028706-030 |
| 6  | Locknut.....                           | 026824-019 |
| 7  | Blade, Fan.....                        | 024033     |
| 8  | Bracket, Fan Motor.....                | 026969     |
| 9  | Cooling Tank, Insulated.....           | 033469-051 |
| 10 | Cold Control.....                      | 027040-039 |
| 11 | Motor, Fan.....                        | 027354-026 |
| 12 | Drier, Refrigerant.....                | 034343-003 |
| 13 | Supply Line, Top.....                  | 035181-001 |
| 14 | Condenser.....                         | 031766-001 |
| 15 | Side Panel. Right Stainless Steel..... | 035081-003 |
| 16 | Cartridge.....                         | 029967-001 |
| 17 | Retaining Nut, Cartridge.....          | 029970-001 |
| 18 | Nut, Hex Cartridge Holder.....         | 029968-001 |
| 19 | Activation Shelf.....                  | 035078-001 |
| 20 | Front Nosepiece, Stainless Steel.....  | 035077-003 |
| 21 | Nut-Ring, Cartridge Holder.....        | 029969-001 |
| 22 | Push Button.....                       | 024779     |
| 23 | Cover Nut.....                         | 024778     |
| 24 | Front Panel, Stainless Steel.....      | 035079-003 |
| 25 | Compressor (includes pt 22).....       | 033425-004 |
| 26 | Overload/Relay Combination.....        | 032836-007 |
| 27 | Capacitor, Start.....                  | 027956-004 |
| 28 | Side Panel. Left Stainless Steel.....  | 035080-003 |
| 29 | Service Cord.....                      | 026540-045 |
| 30 | Insulation Left Cooling Tank.....      | 035088-002 |
| 31 | Frame.....                             | 035089-001 |
| 32 | Insulation Right Cooling Tank.....     | 035088-001 |
| 33 | Hanger Bracket.....                    | 031363-002 |
| 34 | Waste Assy.....                        | 031892-004 |
| 35 | Waste Gasket.....                      | 031756-001 |

**Parts Not Shown**

Strainer, In-Line..... 033264-003

## Wiring Diagram: PV8AC-D300



## OASIS Corporation

265 N Hamilton Rd • PO Box 13150 • Columbus OH 43213  
 614/861-1350 • 888-820-7525  
 614/861-0231 Fax  
 www.oasiswatercoolers.com